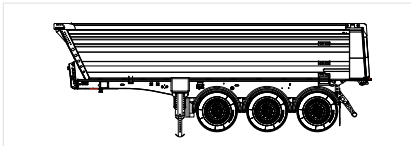


Innovation in transport



AluHARD[®] 500



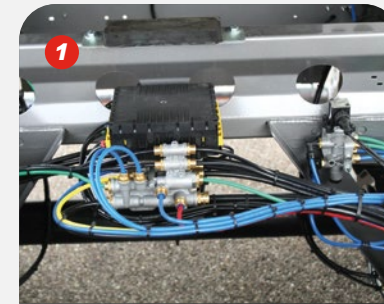
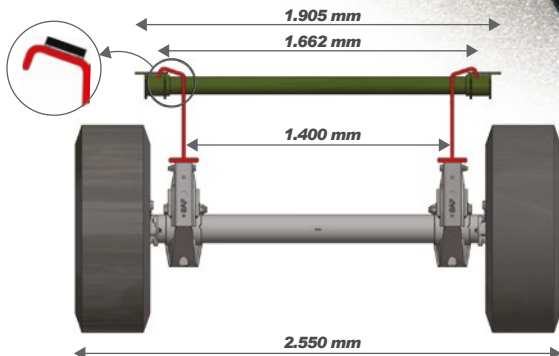
ROJO TRAILER

Chassis V

With an innovative **V-shaped** design which is characterized by one-piece main beams, without joints and folded. The welded surface is reduced significantly, and the structural strength is improved.

It is increased the **total width of the chassis** to **1,660 mm** improving the stability and the adjustment of the box on the chassis.

Made of **extra elastic limit steel**, with which it is obtained a lower weight than aluminium chassis and an elastic resistance 15 times higher.



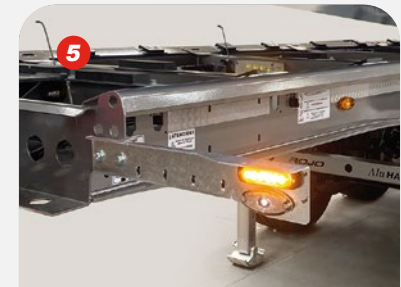
Electronic control unit



Electronic automatic suspension lowering



Asphalting kit compatible with all kind of road pavers



Side tipping alarm



Axles with integral suspension and disc brake

ROJO

AluHARD[®] 500



Even more resistant *Even lighter*

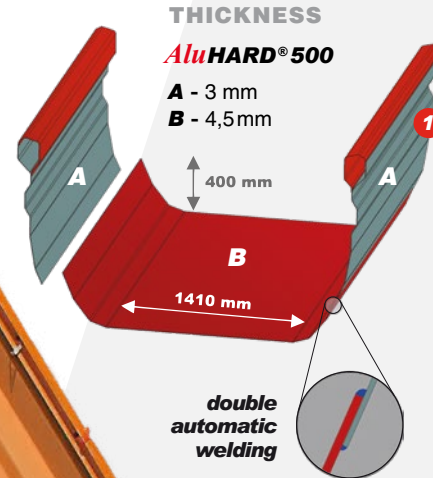
Body

HARDOX® 500 TUF

Manufactured with the latest technology in special anti-wear metals: **HARDOX 500 TUF**. 20% more resistant to wear and tear than the traditional Hard 450. And 900% more durable than aluminium.



With a current design, more efficient, it is obtained more resistance and less weight.



Double longitudinal stiffener



Pneumatic automatic closing



Cylinder fixed to the body

Options



 **Self-steering axle**



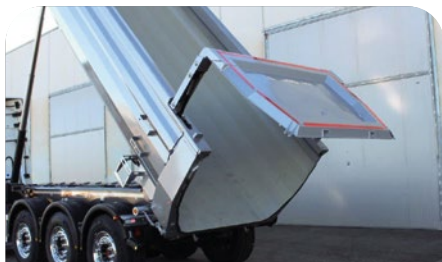
 **Aluminium protections on side walls**



 **LED reversing lights**



 **Insulated body**



 **Hydraulic rear door**



 **Rear combi door**



 **Steel rear door**



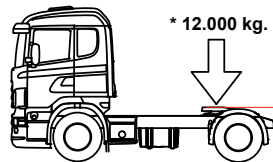
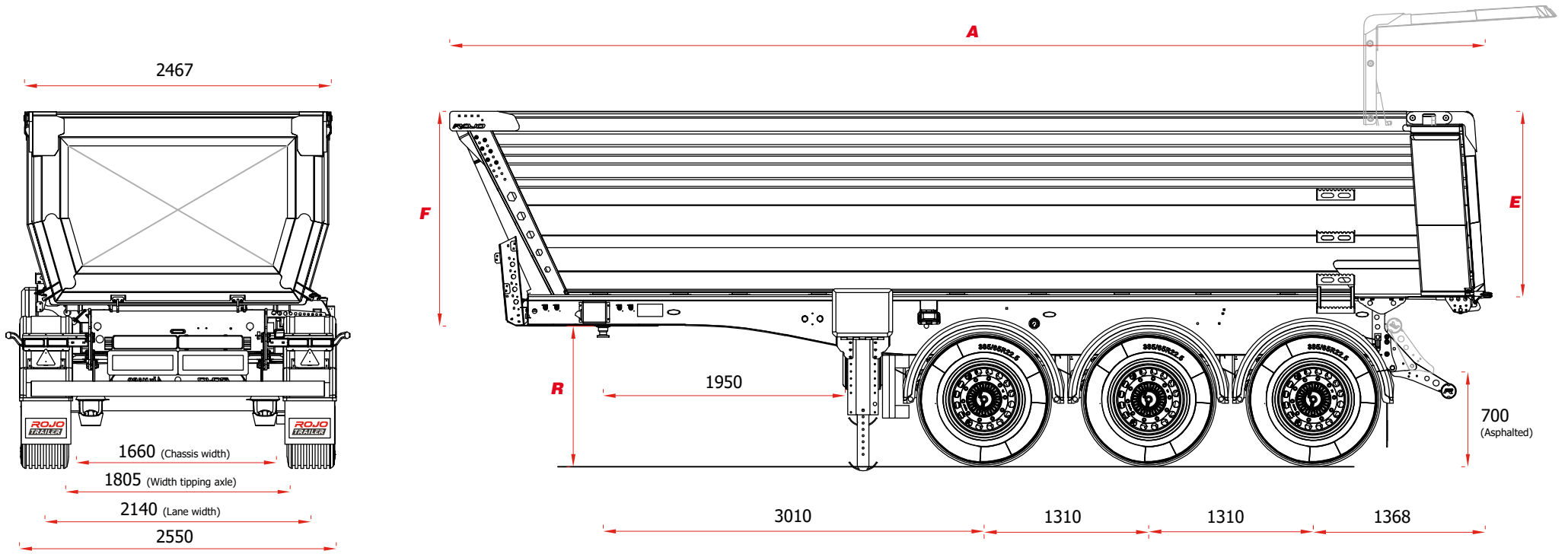
 **Rear grain slider on rear door**



 **Sliding roof**



 **Pneumatic rear bumper**



5th wheel maximum height (loaded)*

Suspension model

	X1	X2	X3	X4
R	1.200	1.250	1.300	1.350

	A	E	F	AluHARD® 500
20 m³	8.140	1.270	1.510	4.690 kg
22 m³	8.195	1.380	1.620	4.750 Kg
24 m³	8.235	1.470	1.710	4.760 kg
26 m³	8.285	1.580	1.820	4.860 kg
26+2 m³	8.340	1.680	1.920	4.930 kg



ROJO TRAILER S.L.

Pol. Ind. Alto Milagros s/n
09460 Milagros (Burgos) SPAIN
Phone (+34) 947 546 411

www.rojotrailer.com



Manufactured in the European Union